



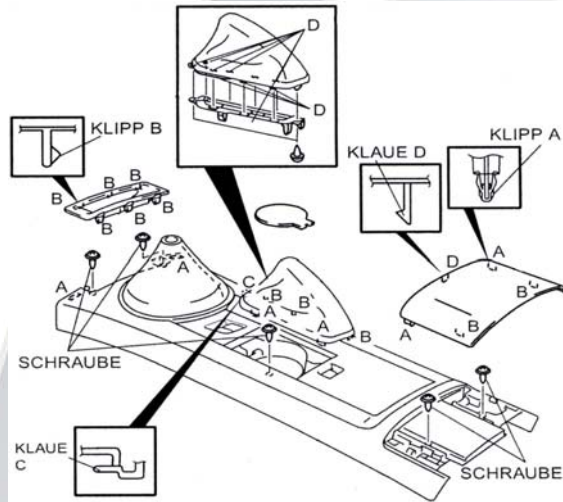
Installation Manual

Short-Shifter for MX-5 NC – 6 gear

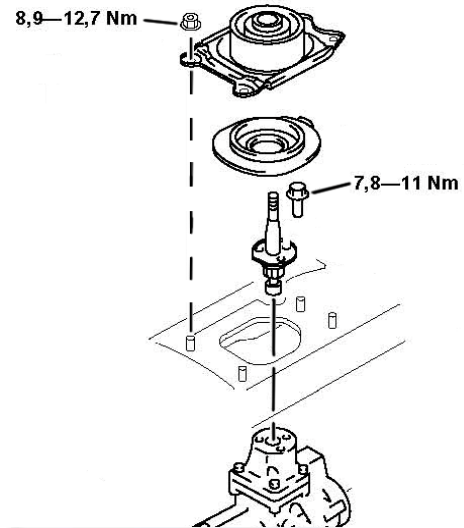
NC0-7001

Remove the shift knob and centre console by loosening the 5 screws as seen in pic 1.

Please also remove the noise reduction material.



pic 1



pic 2

You can now see the large rubber shift boot, that can be removed by loosening the 4 screws. Underneath the large rubber shift boot, you will find the small shift boot that can be removed by loosening the 3 screws, you can now remove the small boot and the shifter. (pic 2).

Hint: only remove the shifter when it is in neutral!

Caution: The shifter might drip oil when removing it, use an old rag to wrap it and avoid oil dripping into the interior.

After removing and cleaning the shifter, you can now cut the white plastic ring that retains the shiftboot on the shifter and remove the large shiftboot from the shifter. The OEM parts in pic 3a have to be reused on the short shifter.

- hard plastic shift boot
- shift bush 2X
- gearlever nylon cup



pic 3a

Remove the nylon cup from the OEM shiftlever and install it on the short shifter lever. The shift bushes on the OEM lever can be pried out with a small screwdriver, and inserted on the short shift lever. (pic 3)



pic 3



I.L. MOTORSPORT

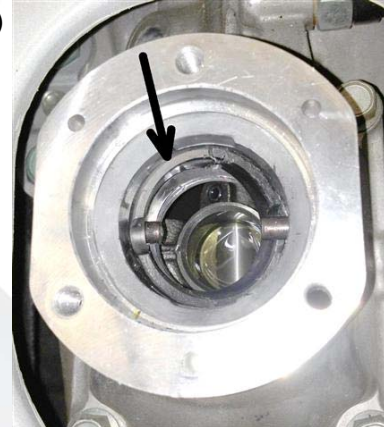
Installation Manual

Short-Shifter for MX-5 NC – 6 gear

NC0-7001

Before inserting the short shift lever into the gearbox, please remove the plastic ring from the gearbox. (a new ring is supplied in the short shift kit)

(pic 4)



hint: The plastic ring will have to be cut, because it will not come out in one piece.
Easiest place to cut the ring is next to one of the pins
When you want to install the OEM shifter again, you can reuse the cut ring, even though its cut it will function properly.

Now the small spacer is installed, slide it over the pins and on top of the OEM spring. You can now install the new plastic ring next to the spacer. Now we can install the large spacer with pins into the gearbox, position the pins in the same direction as the OEM pins. (pic 5 / 6 / 7)



pic 5



pic 6



pic 7

Position the short-shifter above the gearbox with the longer shift bush facing the driverside. Now insert the shifter upright into the gearbox. Notice that the shift bushes slide over the pins! Now place the plastic ring with the spring ring upwards on the gearbox.

Now place the black spacer on the spring ring of the gearbox. (pic 8 / 9 / 10)



pic 8



pic 9



pic 10



I.L. MOTORSPORT

Installation Manual

Short-Shifter for MX-5 NC – 6 gear

NC0-7001

The hard plastic shift boot can now be installed with the arrow facing the front of the car! Please use the supplied longer screws to secure the hard plastic shift boot (pic 11)

function test: please check if all gears can be selected.

Now install the small rubber shift boot. (pic 12)



pic 11



pic 12

Before installing the large rubber shift boot, please first put the sleeve over the shifter and secure it using the supplied cable tie. (pic 13)

Now you can secure the large shiftboot to the driveshaft tunnel. (pic 14)



pic 11



pic 12

Reinstall the center console.

Hint: Before screwing the center console to the driveshaft tunnel, check to see if all connections (windows etc) are functioning.