

Center Panel insert Installation Instruction

Art.Nr. NC0-7020

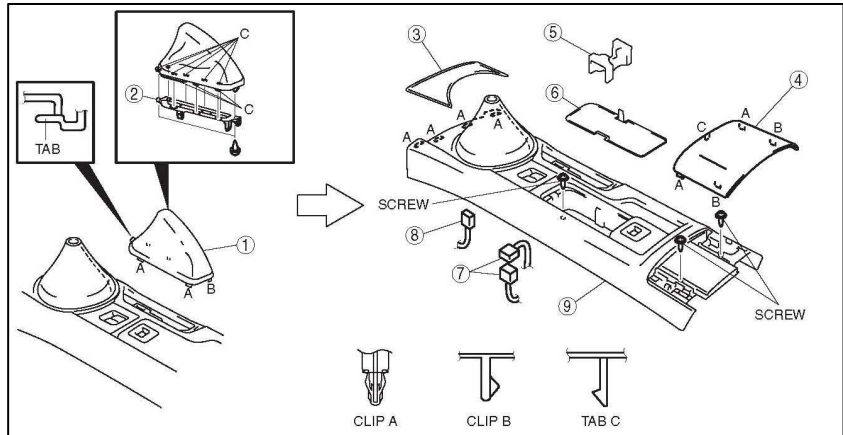


I.L. MOTORSPORT

CONSOLE REMOVAL/INSTALLATION

1. Remove the battery cover.
2. Disconnect the negative battery cable.
3. Remove the selector lever knob (AT), shift lever knob (MT).
4. Remove in the order indicated in the table.

- 1 Parking brake lever boot
- 2 Parking brake lever boot plate
- 3 Rubber mat
- 4 Rear cover
- 5 Cup holder guide
- 6 Box mat
- 7 Power window main switch connector
- 8 Indicator compartment connector (AT)
- 9 Console



SIDE WALL REMOVAL/INSTALLATION

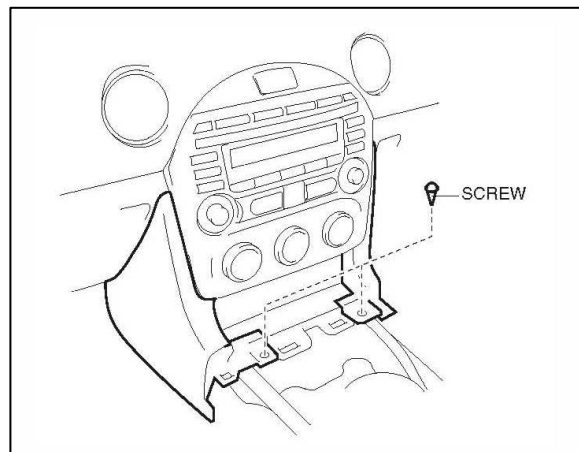
Caution

- Do not pull the side wall ends outward to remove the side wall. The side wall and clips could be damaged.

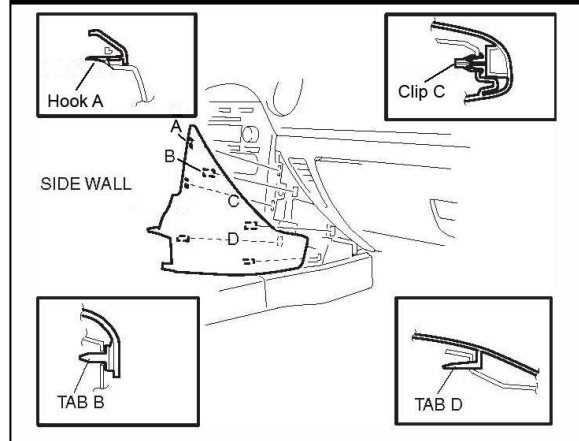
Note

- The removal procedure is the same for the driver's side.

5. Remove the screws.

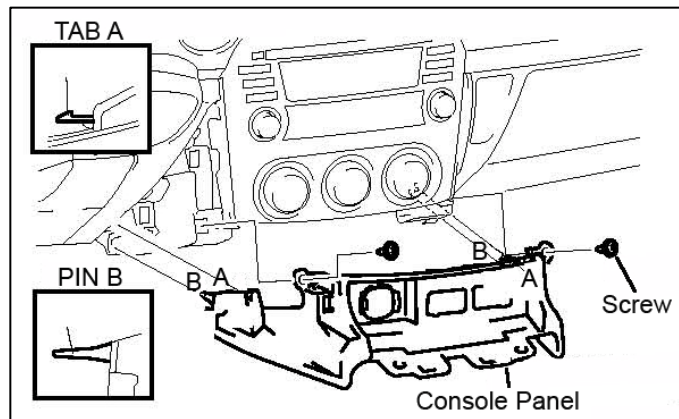


6. Detach hook A, tab B, D and clip C while pulling the side wall.
7. Remove the side wall.



CONSOLE PANEL REMOVAL/INSTALLATION

8. Remove the screws.
9. Pull the console panel outward and detach tabs A and pins B.
10. Disconnect the seat warmer switch connector. (Vehicles with seat warmer)
11. Disconnect the accessory socket connector.
12. Disconnect the auxiliary jack connector.
13. Remove the console panel.



Connect the red and black wire from the kit with the original wire from socket connector.
black with black / red with yellow.

Please install in the reverse order of removal